

PROP FAN
EXPLODED
VIEWS
01/26/2018

Direct Drive Power Pack

20 thru 72

Direct Drive Power Pack (Intake Side of Panel) - Part Information

Item #	Description of Parts	20 / 24	#	30 / 36	#	42 / 48	#	54 / 60	#	72	#
1	Motor Plate	PP2024MTRPLTA-DD	1	PP3036MTRPLTA-DD	1	PP4248MTRPLTA-DD	1	PP5460MTRPLTA-DD	1	PP72MTRPLTA-DD	1
2	Center Motor Plate	PP2024MTRSUPPLTA-DD	1	PP3036MTRSUPPLTA-DD	1	PP4248MTRSUPPLTA-DD	1	PP5460MTRSUPPLTA-DD	2	PP72MTRSUPPLTA-DD	2
3	Left Motor Support	PP2024MTRSUPLT-DD	1	PP3036MTRSUPLT-DD	1	PP4248MTRSUPLT-DD	1	PP546072MTRSUPLT-DD	1	PP546072MTRSUPLT-DD	1
4	Right Motor Support	PP2024MTRSUPRT-DD	1	PP3036MTRSUPRT-DD	1	PP4248MTRSUPRT-DD	1	PP546072MTRSUPRT-DD	1	PP546072MTRSUPRT-DD	1
5	Center Motor Support	PP2024MTRSUPCEN-DD	1	PP3036MTRSUPCEN-DD	1	PP4248MTRSUPCEN-DD	1	PP546072MTRSUPCEN-DD	1	PP546072MTRSUPCEN-DD	1
6	Center Motor Support Bracket	N/A		N/A		N/A		PP546072MTRBASESUP	1	PP546072MTRBASESUP	1
7	Motor Plate Support Bracket	PPMTRSUPBRKT	2	PPMTRSUPBRKT	2	PPMTRSUPBRKT	2	PP5460MTRSUPBRKT	2	PP72MTRSUPBRKT	2
8	Motor Installation Support	N/A		N/A		PPMTRSUPDD	1	PPMTRSUPDD	1	PPMTRSUPDD	1

Direct Drive Power Pack (Discharge Side of Panel) - Part Information

Item #	Description of Parts	20 / 24	#	30 / 36	#	42 / 48	#	54 / 60	#	72	#
1	Motor Plate	PP2024MTRPLTB	1	PP3036MTRPLTB	1	PP4248MTRPLTB	1	PP5460MTRPLTB	1	PP72MTRPLTB	1
2	Center Motor Plate	PP2024MTRSUPPLTB	1	PP3036MTRSUPPLTB	1	PP4248MTRSUPPLTB	1	PP5460MTRSUPPLTB1	1	PP72MTRSUPPLTB1	1
								PP5460MTRSUPPLTB2	1	PP72MTRSUPPLTB2	1
3	Left Motor Support	PP2024MTRSUPLT	1	PP3036MTRSUPLT	1	PP4248MTRSUPLT	1	PP546072MTRSUPLT	1	PP546072MTRSUPLT	1
4	Right Motor Support	PP2024MTRSUPRT	1	PP3036MTRSUPRT	1	PP4248MTRSUPRT	1	PP546072MTRSUPRT	1	PP546072MTRSUPRT	1
5	Center Motor Support	PP2024MTRSUPCEN	1	PP3036MTRSUPCEN	1	PP4248MTRSUPCEN	1	PP546072MTRSUPCEN	1	PP546072MTRSUPCEN	1
6	Center Motor Support Bracket	PP2024MTRBASESUP	1	PP3036MTRBASESUP	1	PP4248MTRBASESUP	1	PP546072MTRBASESUP	1	PP546072MTRBASESUP	1
7	Motor Plate Support Bracket	PPMTRSUPBRKT	2	PPMTRSUPBRKT	2	PPMTRSUPBRKT	2	PP5460MTRSUPBRKT	2	PP72MTRSUPBRKT	2
8	Motor Installation Support	N/A		N/A		PPMTRSUPDD	1	PPMTRSUPDD	1	PPMTRSUPDD	1

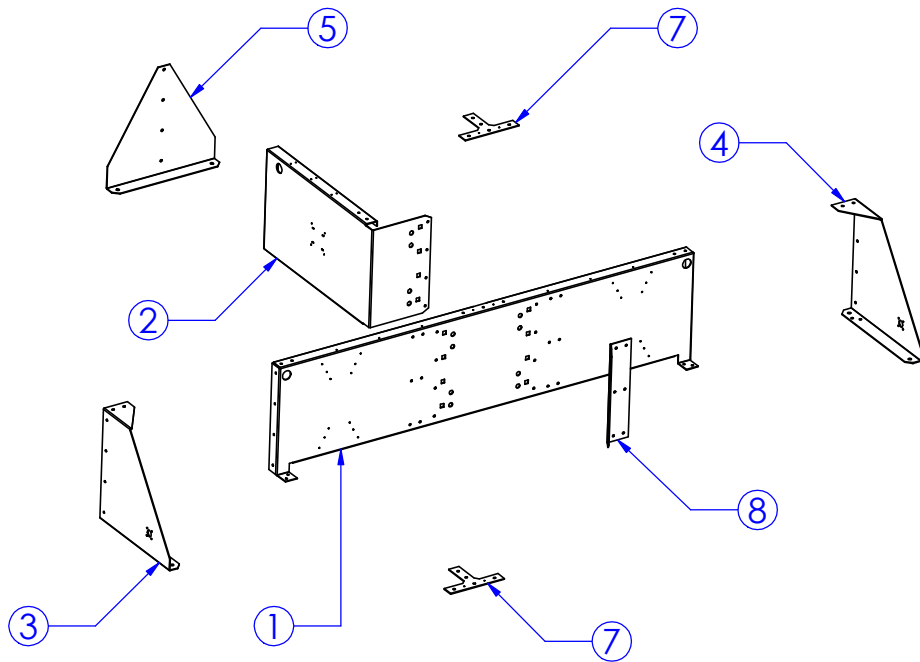
NOTE: ITEM 8, MOTOR INSTALLATION SUPPORT, IS NOT REQUIRED ON POWER PACKS BUILT FOR RPUD MODELS.

Direct Drive Power Pack

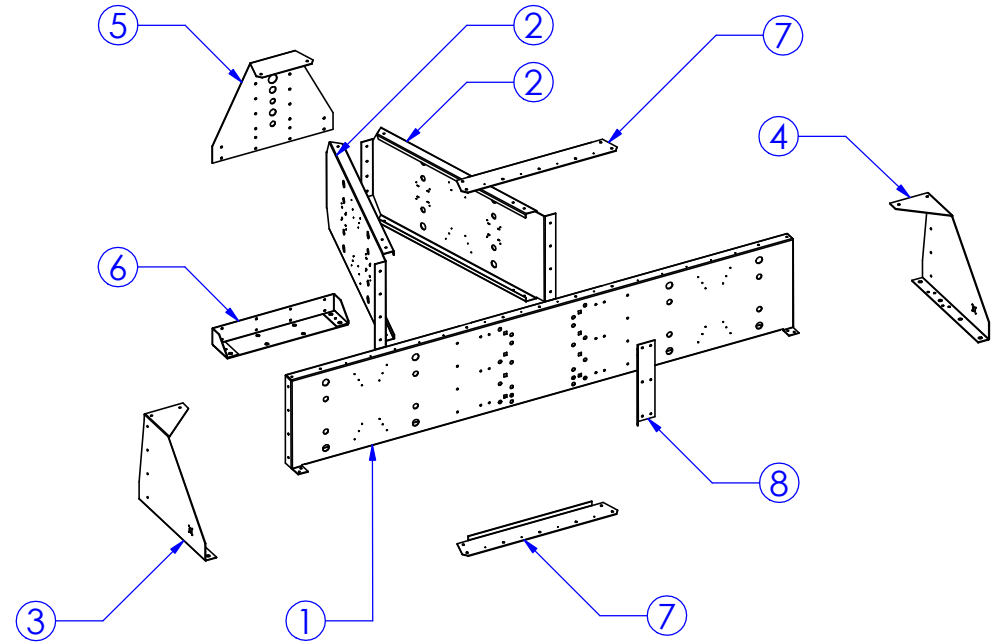
Intake Side of Panel

Direct Drive Power Pack (Intake Side of Panel) - Rivet Count									
20 / 24	#	30 / 36	#	42 / 48	#	54 / 60	#	72	#
SSPI-08-06-RIVET	36	SSPI-08-06-RIVET	36	SSPI-08-06-RIVET	42	SSPI-08-06-RIVET	76	SSPI-08-06-RIVET	76

NOTE: ALL POWER PACKS ASSEMBLED USING ONLY SSPI RIVETS, AX# A0022589



20 thru 48



54 thru 72

Propeller Information

WPD / RPUD-20 thru 72

Propeller - Part Information								
Item #	Part #	AX #	Diameter (in.)	# of Blades	Material	Bushing Type	Max RPM	Used On
1	MS-20-12 HD	A0028719	20	4	Galv. Steel	H1	2095	WPD-20-MS / RPUD-20-MS
2	MS-24-9.5 XHD	A0028720	24	4	Galv. Steel	H1	2050	WPD-24-MS / RPUD-24-MS
3	S-30-8 XHD	A0028830	30	4	Galv. Steel	H1	1350	WPD-30-S
4	S-36-9.5 XHD	A0028831	36	4	Galv. Steel	P1	1015	WPD-36-S
5	S-42-10 XHD	A0028832	42	4	Galv. Steel	P1	890	WPD-42-S
6	S-48-8.5 XHD	A0028833	48	4	Galv. Steel	P1	830	WPD-48-S
7	X-30-10.5 HD	A0028721	30	4	Galv. Steel	H1	1655	WPD-30-X / RPUD-30-X
8	X-36-7 XHD	A0028722	36	4	Galv. Steel	P1	1230	WPD-36-X / RPUD-36-X
9	X-42-11 HD	A0028723	42	4	Galv. Steel	P1	985	WPD-42-X / RPUD-42-X
10	X-48-7 XHD	A0028724	48	4	Galv. Steel	P1	1250	WPD-48-X / RPUD-48-X
11	X-54-8 HD	A0028725	54	4	Galv. Steel	Q1	900	WPD-54-X / RPUD-54-X
12	X-60-7 XHD	A0028726	60	4	Galv. Steel	Q1	910	WPD-60-X / RPUD-60-X
13	X-72-7 HD	A0028727	72	4	Galv. Steel	Q1	690	WPD-72-X / RPUD-72-X
14	U2-3018-4-24 REG	A0028861	24	4	Aluminum	H1	2100	WPD-24-A / RPUD-24-A
15	U2-3018-4-30 REG	A0028862	30	4	Aluminum	H1	1800	WPD-30-A / RPUD-30-A
16	U2-3018-4-36 REG	A0028863	36	4	Aluminum	P1	1800	WPD-36-A / RPUD-36-A
17	U2-3018-4-42 REG	A0028864	42	4	Aluminum	P1	1800	WPD-42-A / RPUD-42-A
18	33B-4-48L	A0028865	48	4	Aluminum	P1	1200	WPD-48-A / RPUD-48-A
19	33B-4-54C	A0028866	54	4	Aluminum	P1	1000	WPD-54-A / RPUD-54-A
20	33B-4-60L	A0028867	60	4	Aluminum	Q1	900	WPD-60-A / RPUD-60-A
21	33B-4-72L	A0028868	72	4	Aluminum	Q1	700	WPD-72-A / RPUD-72-A

Bushing - Part Information					
Item #	Part #	Shaft Diameter (in.)	Set Screw Torque (in./lb.)	Bolt Torque (in./lb.)	AX #
1	H-5/8	5/8	17	95	A0028782
2	H-7/8	7/8	17	95	A0028783
3	H-1-1/8	1-1/8	17	95	A0028784
4	P1-1-1/8	1-1/8	65	192	A0028785
5	P1-1-3/85/16	1-3/8	65	192	A0028786
6	P1-1-5/8	1-5/8	65	192	A0028834
7	Q1-1-3/8KW5/16	1-3/8	115	348	A0028787
8	Q1-1-5/8	1-5/8	115	348	A0028788
9	Q1-1-7/8	1-7/8	115	348	A0028789

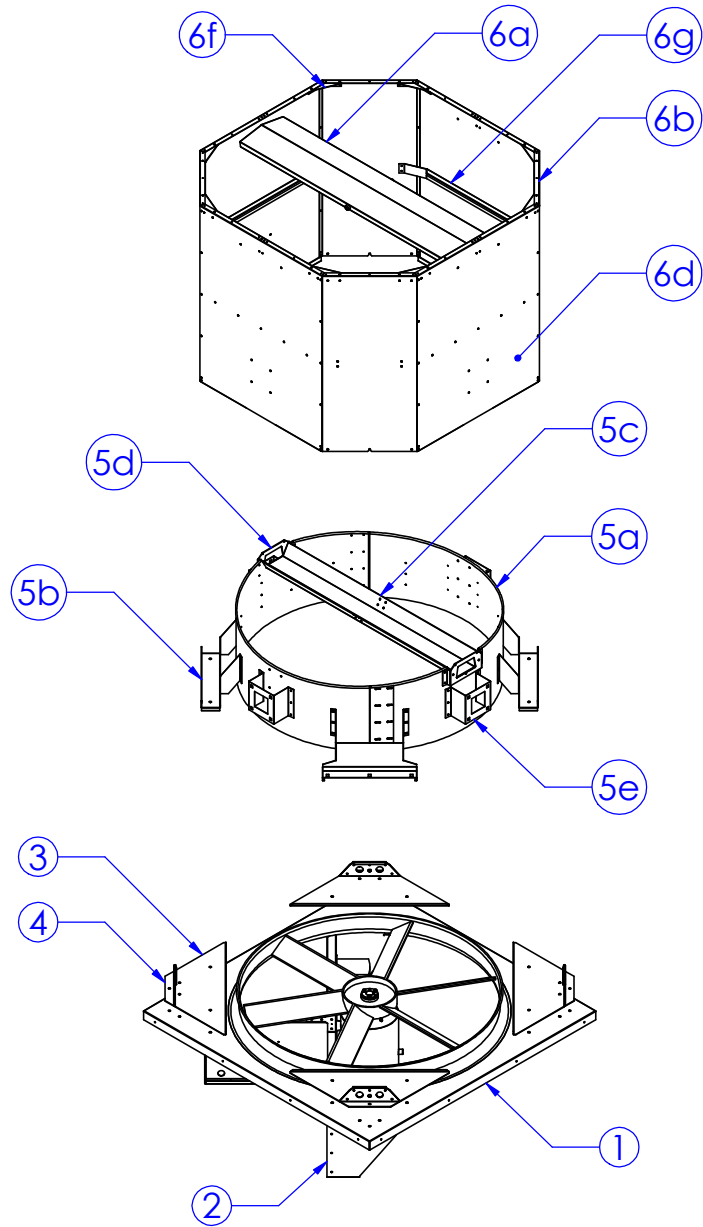
Direct Drive Upblast

RPUD20-72

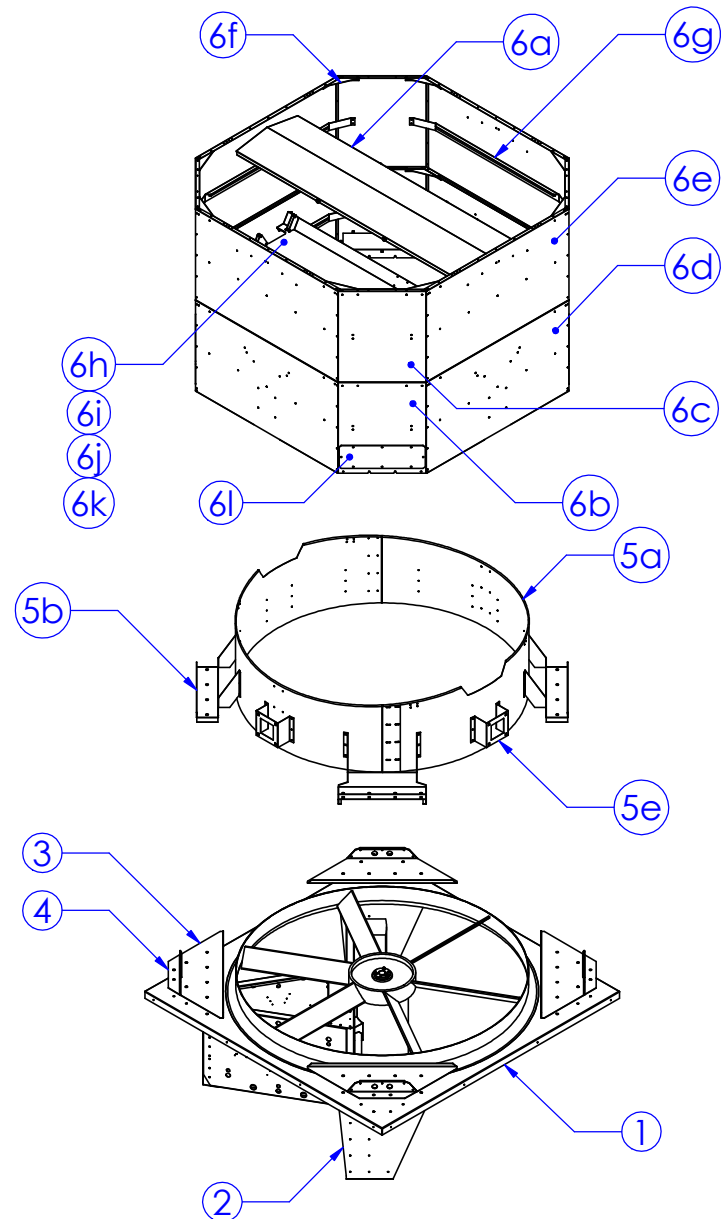
Direct Drive Upblast - Part Information

Item #	Description of Parts	20 / 24	#	30 / 36	#	42 / 48	#	54 / 60	#	72	#
1	Inlet Panel	UB20PANEL / UB24PANEL	1	UB30PANEL / UB36PANEL	1	UB42PANEL / UB48PANEL	1	UB54PANEL / UB60PANEL	1	UB72PANEL	1
2	Power Pack	PP2024-INTAKE-DD	1	PP3036-INTAKE-DD	1	PP4248-INTAKE-DD	1	PP5460-INTAKE-DD	1	PP72-INTAKE-DD	1
3	Lifting Lug A	RPUD2024PANELSUPA	4	RPUD3036PANELSUPA	4	RPUD4248PANELSUPA	4	RPUD5460PANELSUPA	4	RPUD72PANELSUPA	4
4	Lifting Lug B	RPUPANELSUPB-SM	4	RPUPANELSUPB-SM	4	RPUPANELSUPB-SM	4	RPUPANELSUPB-LG	4	RPUPANELSUPB-LG	4
5	Airshaft Assembly	RPUD20ASA / RPUD24ASA	1	RPUD30ASA / RPUD36ASA	1	RPUD42ASA / RPUD48ASA	1	RPUD54ASA / RPUD60ASA	1	RPUD72ASA	1
a	Airshaft	RPUD20AIRSHAFT / RPUD24AIRSHAFT	1	RPUD30AIRSHAFT / RPUD36AIRSHAFT	1	RPUD42AIRSHAFT / RPUD48AIRSHAFT	2	RPUD54AIRSHAFT / RPUD60AIRSHAFT	2	RPUD72AIRSHAFT	2
b	Airshaft/Windband Support	RPUD20ASWBSUP / RPUD24ASWBSUP	4	RPUD30ASWBSUP / RPUD36ASWBSUP	4	RPUD42ASWBSUP / RPUD48ASWBSUP	4	RPUD54ASWBSUP / RPUD60ASWBSUP	4	RPUD72ASWBSUP	4
c	Gutter	RPUD20GUTTER / RPUD24GUTTER	1	RPUD30GUTTER / RPUD36GUTTER	1	RPUD42GUTTER / RPUD48GUTTER	1	N/A		N/A	
d	Airshaft/Damper Support	RPUD2024ASDAMPSUP	2	RPUD3036ASDAMPSUP	2	RPUD4248ASDAMPSUP	2	N/A		N/A	
e	Airshaft Horizontal Support	N/A		N/A		RPUD42WBDAMPSUP / RPUD48WBDAMPSUP	4	RPUD54WBDAMPSUP / RPUD60WBDAMPSUP	4	RPUD72WBDAMPSUP	4
6	Windband Assembly	RPUD2024WBA	1	RPUD3036WBA	1	RPUD4248WBA	1	RPUD54WBA / RPUD60WBA	1	RPUD72WBA	1
a	Damper Stop	RPUD2024DAMPSTOP	1	RPUD3036DAMPSTOP	1	RPUD4248DAMPSTOP	1	RPUD5460DAMPSTOP	1	RPUD72DAMPSTOP	1
b	Panel A	RPUD2024WBPANELA	4	RPUD3036WBPANELA	4	RPUD4248WBPANELA	4	RPUD5460WBPANELA	4	RPUD72WBPANELA	4
c	Panel A Top	N/A		N/A		N/A		RPUD5460WBPANELATOP	4	RPUD72WBPANELATOP	4
d	Panel B	RPUD2024WBPANELB	4	RPUD3036WBPANELB	4	RPUD4248WBPANELB	4	RPUD5460WBPANELB	4	RPUD72WBPANELB	4
e	Panel B Top	N/A		N/A		N/A		RPUD5460WBPANELBTOP	4	RPUD72WBPANELBTOP	4
f	Corner Bracket	RPUDWBRKT-SM	8	RPUDWBRKT-SM	8	RPUDWBRKT-MD	8	RPUDWBRKT-LG	16	RPUDWBRKT-LG	16
g	J Bracket	N/A		N/A		RPUD4248WBJBRKT	4	RPUD5460WBJBRKT	8	RPUD72WBJBRKT	8
h	Airshaft Stop	N/A		N/A		N/A		RPUD546072ASSTOP	2	RPUD546072ASSTOP	2
i	Gutter	N/A		N/A		N/A		RPUD54GUTTER / RPUD60GUTTER	1	RPUD72GUTTER	1
j	Damper Pin Bracket A	N/A		N/A		N/A		RPUDAMPINBRKTA	4	RPUDAMPINBRKTA	4
k	Damper Pin Bracket B	N/A		N/A		N/A		RPUDAMPINBRKTB	4	RPUDAMPINBRKTB	4
l	Access Door	N/A		N/A		N/A		RPUDWACCDOOR	4	RPUDWACCDOOR	4

Direct Drive Upblast



RPUD20-48



RPUD54-72

Direct Drive Upblast Options

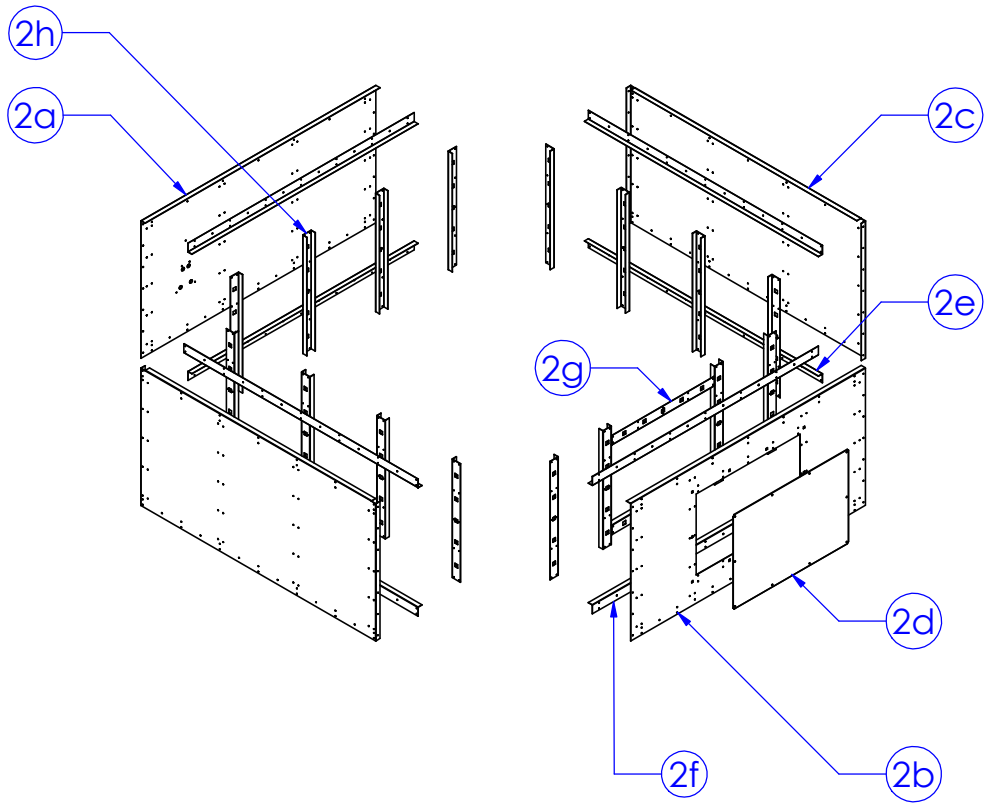
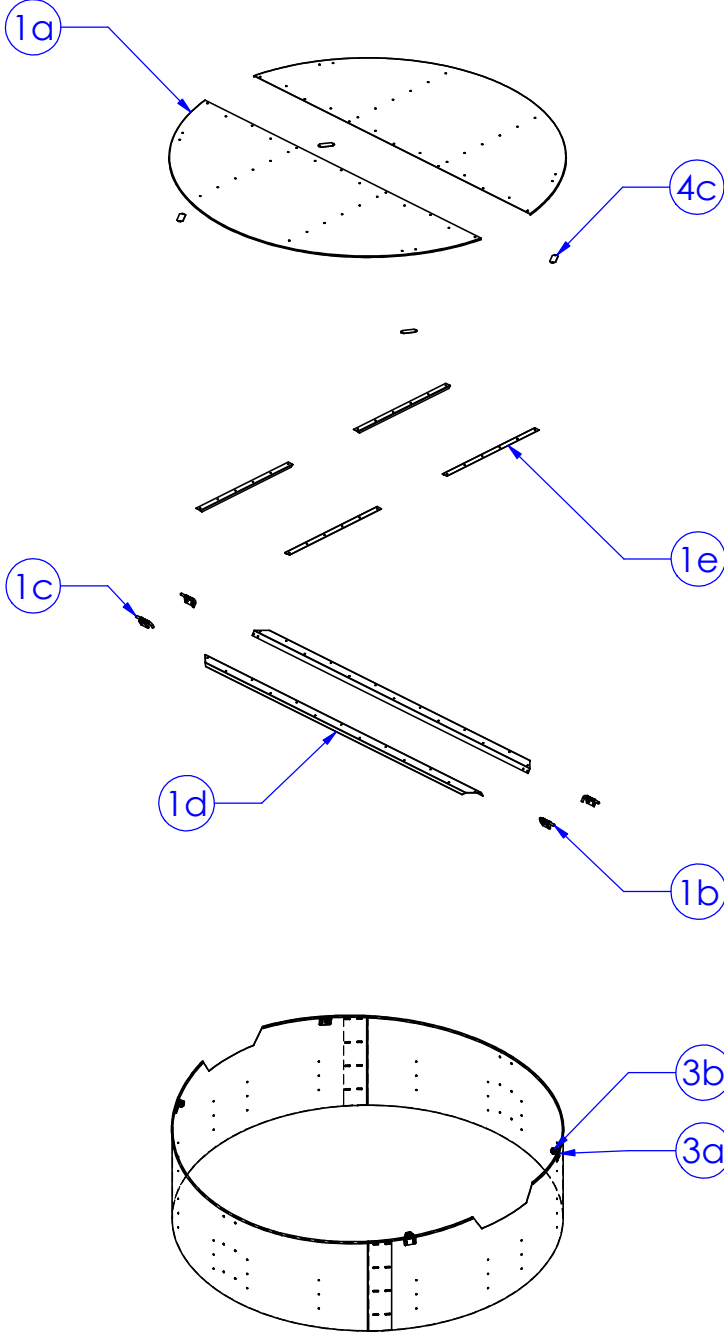
RPUD20-72

Direct Drive Upblast Options - Part Information

Item #	Description of Parts	20 / 24	#	30 / 36	#	42 / 48	#	54 / 60	#	72	#
1	Butterfly Dampers	RPU20DAO / RPU24DAO	1	RPU30DAO / RPU36DAO	1	RPU42DAO / RPU48DAO	1	RPU54DAO / RPU60DAO	1	RPU72DAO	1
a	Damper Lid	RPU20DAMPER / RPU24DAMPER	2	RPU30DAMPER / RPU36DAMPER	2	RPU42DAMPER / RPU48DAMPER	2	RPU54DAMPER / RPU60DAMPER	2	RPU72DAMPER	2
b	Spring Pin Left	H9295LH-02	2	H9295LH-02	2	H9295LH-02	2	9296LH-02	2	9296LH-02	2
c	Spring Pin Right	H9295RH-02	2	H9295RH-02	2	H9295RH-02	2	9296RH-02	2	9296RH-02	2
d	Damper Pivot Bracket	RPU20DAMPPVTBRKT / RPU24DAMPPVTBRKT	2	RPU30DAMPPVTBRKT / RPU36DAMPPVTBRKT	2	RPU42DAMPPVTBRKT / RPU48DAMPPVTBRKT	2	RPU54DAMPPVTBRKT / RPU60DAMPPVTBRKT	2	RPU72DAMPPVTBRKT	2
e	Damper Lid Support	N/A		N/A		N/A		RPU54DAMPLIDSUP / RPU60DAMPLIDSUP	4	RPU72DAMPLIDSUP	4
2	Base with Access Door	RPU2024ADO	1	RPU3036ADO	1	RPU4248ADO	1	RPU5460ADO	1	RPU72ADO	1
a	Base - Front Panel	RPU2024BASEFRONT	1	RPU3036BASEFRONT	1	RPU4248BASEFRONT	1	RPU5460BASEFRONT	1	RPU72BASEFRONT	1
b	Base - Front Panel with Access Door	RPU2024BASEFRONTACC	1	RPU3036BASEFRONTACC	1	RPU4248BASEFRONTACC	1	RPU5460BASEFRONTACC	1	RPU72BASEFRONTACC	1
c	Base - Side	RPU2024BASESIDE	2	RPU3036BASESIDE	2	RPU4248BASESIDE	2	RPU5460BASESIDE	2	RPU72BASESIDE	2
d	Base Access Door	RPU2024ACCDOOR	1	RPU3036ACCDOOR	1	RPU4248ACCDOOR	1	RPU546072ACCDOOR	1	RPU72ACCDOOR	1
e	Base Support A	RPU2024BASESUPA	2	RPU3036BASESUPA	2	RPU4248BASESUPA	2	RPU5460BASESUPA	4	RPU72BASESUPA	4
f	Base Support B	RPU2024BASESUPB	2	RPU3036BASESUPB	2	RPU4248BASESUPB	2	RPU5460BASESUPB1	4	RPU72BASESUPB1	4
g	Base Support C	RPU2024BASESUPC	4	RPU3036BASESUPC	4	RPU4248BASESUPC	4	RPU546072BASESUPC	10	RPU546072BASESUPC	10
h	Base Support E	N/A		RPU3036BASESUPE	3	RPU4248BASESUPE	6	RPU546072BASESUPE	8	RPU546072BASESUPE	8
3	Magnet Assembly	RPUDMO2	1	RPUDMO2	1	RPUDMO2	1	RPUDMO4	1	RPUDMO4	1
a	Magnet Bracket	RPUMGNTBRKT	2	RPUMGNTBRKT	2	RPUMGNTBRKT	2	RPUMGNTBRKT	4	RPUMGNTBRKT	4
b	Magnet	02-20-411-10	2	02-20-411-10	2	02-20-411-10	2	02-20-411-10	4	02-20-411-10	4
c	Strike Plate	RPUSTRKPLT	2	RPUSTRKPLT	2	RPUSTRKPLT	2	RPUSTRKPLT	4	RPUSTRKPLT	4

Direct Drive Upblast Options

RPUD20-72



Direct Drive Upblast Hardware

RPUD20-72

Direct Drive Upblast - Hardware Information

Item #	Description of Parts	20 / 24	#	30 / 36	#	42 / 48	#	54 / 60	#	72	#
1	1/4-20 X 3/4" Whiz Bolt	800044	12	800044	12	800044	12	800044	52	800044	52
2	1/4-20" Cage Nut	11626-03224	12	11626-03224	12	11626-03224	12	11626-03224	52	11626-03224	52
3	1/4-14 X 2-1/2" Self Drilling Screw	90064A633	12	90064A633	12	90064A633	12	90064A633	16	90064A633	16
4	3/8" Oversized Steel Washer 1-1/2" OD	91090A115	20	91090A115	20	91090A115	20	N/A		N/A	
5	3/8-16 X 1-1/2" Whiz Screw	800043	12	800043	12	800043	12	N/A		N/A	
6	3/8-16 X 2-1/2" Serrated Flange Cap Screw	92323A564	8	92323A564	8	92323A564	8	N/A		N/A	
7	3/8-16" Serrated Flange Locknut	99904A103	52	99904A103	52	99904A103	52	N/A		N/A	
8	1/2" Oversized Steel Washer 1-1/2" OD	N/A		N/A		N/A		91090A114	32	91090A114	32
9	1/2-13 X 1-1/2" Whiz Screw	N/A		N/A		N/A		92323A575	16	92323A575	16
10	1/2-13 X 3-1/2" Whiz Screw	N/A		N/A		N/A		0118235.0800	16	0118235.0800	16
11	1/2-13" Serrated Flange Locknut	N/A		N/A		N/A		99904A104	80	99904A104	80
12	1/2-13" Hex Nut	N/A		N/A		N/A		95462A033	16	95462A033	16
13	Rubber Bumper Stop	9540K26	2	9540K26	2	9540K26	2	9540K26	2 / 4	9540K26	4
14	10-32 X 3/8" Screw	A0016262	2	A0016262	2	A0016262	2	A0016262	2 / 4	A0016262	4
15	10-32" Nut	800030	2	800030	2	800030	2	800030	2 / 4	800030	4
16	1/4-14 X 1" Self Drilling Screw	N/A		N/A		N/A		90064A620	44	90064A620 (Ship Loose)	44

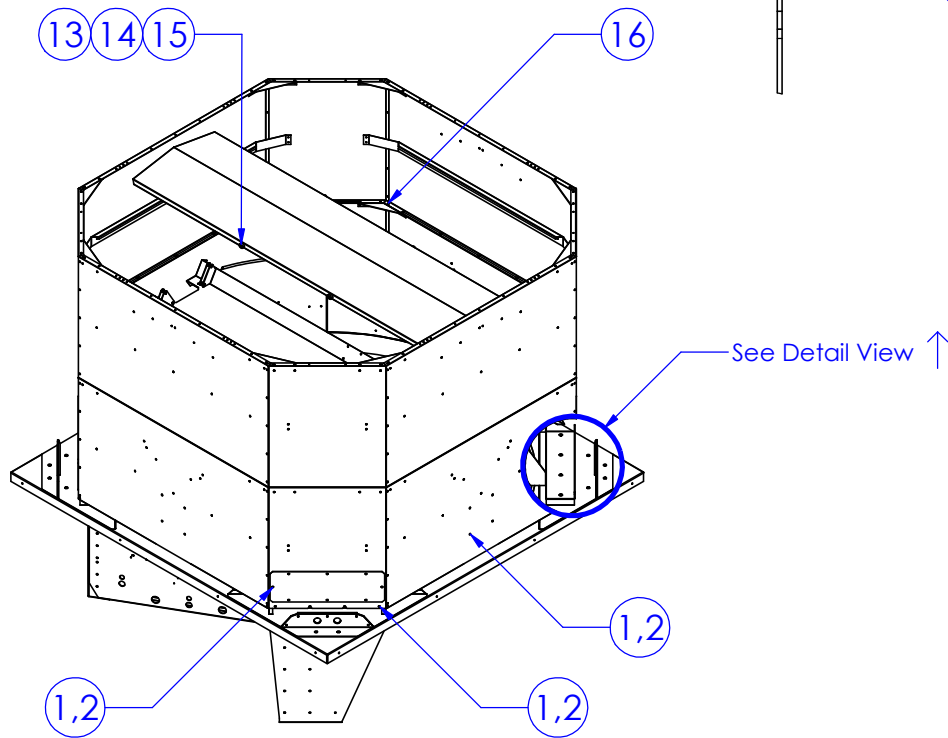
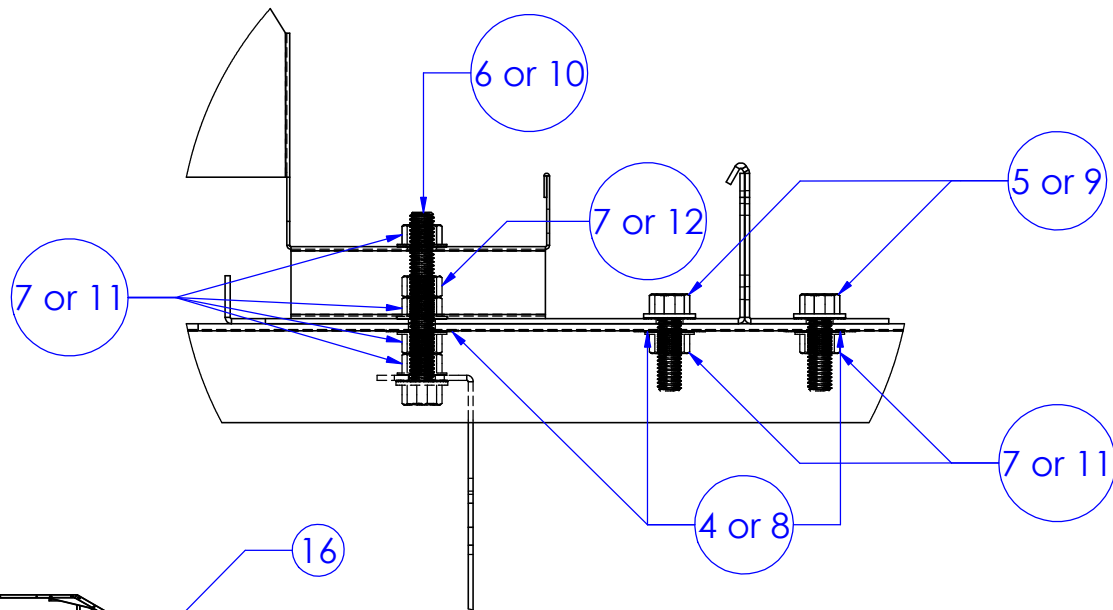
Direct Drive Upblast with Options - Hardware Information

Item #	Description of Parts	20 / 24	#	30 / 36	#	42 / 48	#	54 / 60	#	72	#
Base with Access Door											
1	1/4-20 X 3/4" Whiz Bolt	800044	10	800044	10	800044	10	800044	10	800044	10
2	1/4-20" Cage Nut	11626-03224	10	11626-03224	10	11626-03224	10	11626-03224	10	11626-03224	10

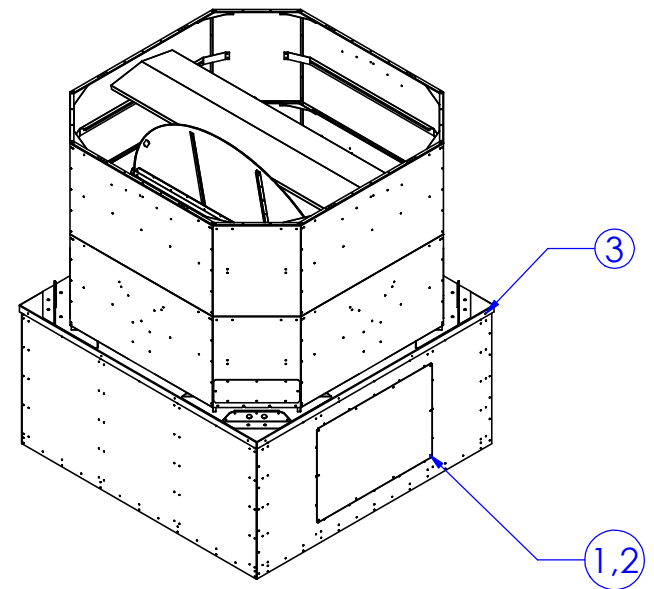
Direct Drive Upblast - Rivet Count

20 / 24	#	30 / 36	#	42 / 48	#	54 / 60	#	72	#
Fan									
SB6-4-RIVET	126	SB6-4-RIVET	126	SB6-4-RIVET	190	SB6-4-RIVET	324	SB6-4-RIVET	324
SSPI-08-06-RIVET	20	SSPI-08-06-RIVET	20	SSPI-08-06-RIVET	20	SSPI-08-06-RIVET	56	SSPI-08-06-RIVET	56
Base Option									
SB6-4-RIVET	100	SB6-4-RIVET	130	SB6-4-RIVET	160	SB6-4-RIVET	320	SB6-4-RIVET	320
Butterfly Damper Option									
SB6-4-RIVET	30	SB6-4-RIVET	30	SB6-4-RIVET	30	SB6-4-RIVET	58	SB6-4-RIVET	58
N/A		N/A		N/A		SSPI-08-06-RIVET	8	SSPI-08-06-RIVET	8
Magnetic Latch Option									
SB6-4-RIVET	12	SB6-4-RIVET	12	SB6-4-RIVET	12	SB6-4-RIVET	24	SB6-4-RIVET	24

Direct Drive Upblast Hardware



RPUD20-72



RPUD20-72
WITH OPTIONS